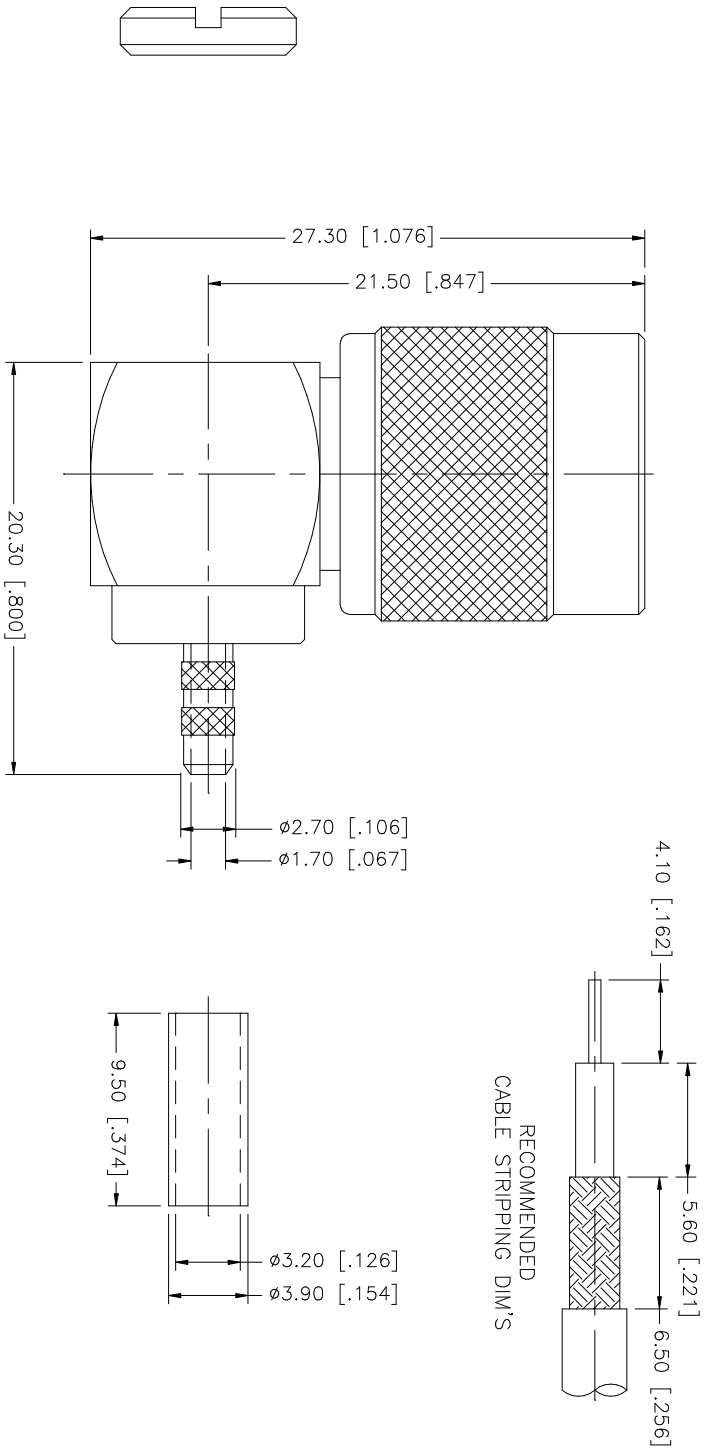


REV.	DATE	DESCRIPTION
A	11/25/03	UPDATE DRAWING FORMAT



NO.	DESCRIPTION	MATERIAL	FINISH	QTY	UNLESS OTHERWISE SPECIFIED DIMENSIONS ARE IN INCHES AND FOR CUSTOMER REFERENCE ONLY. TOLERANCES FOR MILLIMETERS ARE: UNLESS OTHERWISE SPECIFIED 0.5 - 8mm ± 0.20mm 8 - 30mm ± 0.40mm 30 - 120mm ± 0.50mm UNLESS OTHERWISE SPECIFIED DIMENSIONS FOR INCHES ARE: UNLESS OTHERWISE SPECIFIED .020 - .315 = ± 0.007" .315 - 1.180 = ± 0.015" 1.180 - 4.724 = ± 0.020"	APPROVALS	DATE	PART DESCRIPTION							
8						DRAWN	G.R.S.	11/25/03							
7						CHECKED									
6						ISSUED									
5	NUT	BRASS	NICKEL	1		SHEET	1 OF 1								
4	FERRULE	BRASS	NICKEL	1											
3	CONTACT PIN	BRASS	GOLD	1											
2	INSULATOR	DELIRIN	NATURAL	1											
1	BODY	BRASS	NICKEL	1											
	DESCRIPTION	MATERIAL	FINISH	QTY	DO NOT SCALE DRAWING	CAD FILE	C:/122/122148.DWG	DWG. NO.	122148.DWG	REV.	A	SIZE	A	SCALE	NA
Amphenol Connex TNC R/A CRIMP PLUG (FOR RG174/U, 188A/U, 316/U CABLE)															
PART NO. 122148															